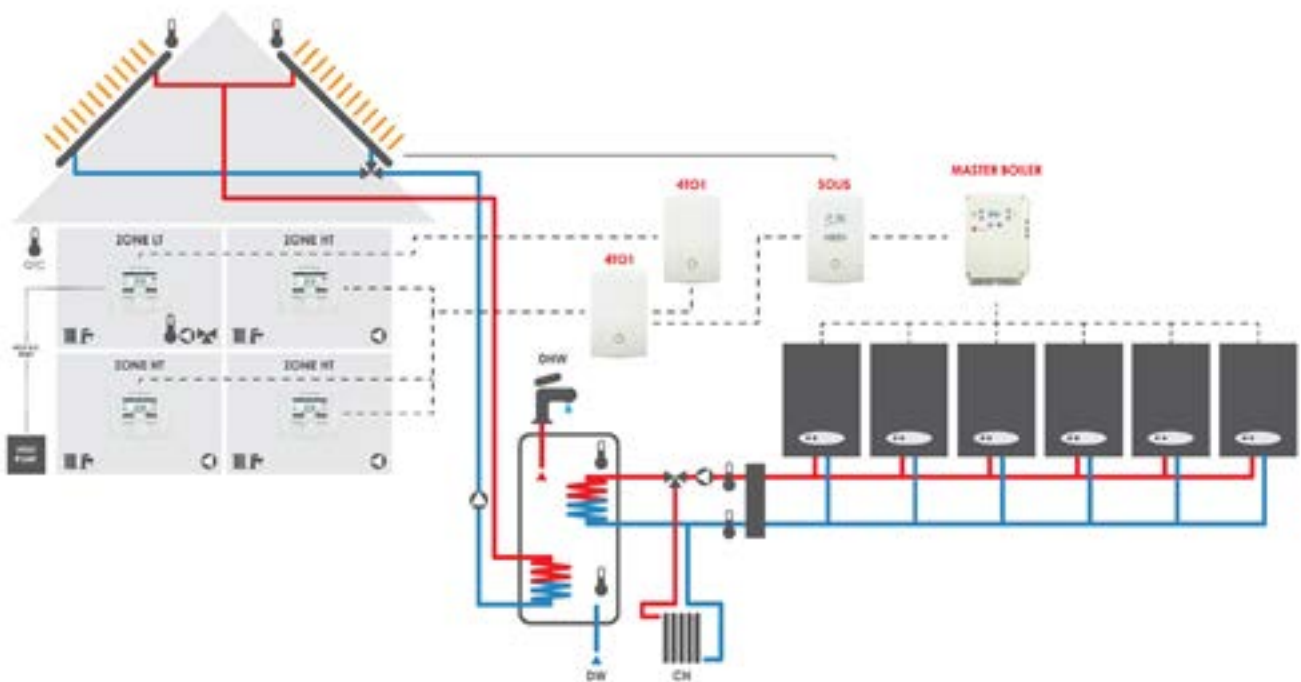


ONE FOR ALL ALL FOR ONE

(Unus pro omnibus,
omnes pro uno)

Each device can work
stand-alone or as part of one
flexible, modular, scalable system



A very complex system can be composed of “n” boilers, “n” ON/OFF heating sources, one cascade control for CH and DHW (Master Boiler), one thermal solar device (SOLIS), one heat pump, one or more zoned heating systems (4To1, Master zone), “n” remote controls, one Wi-Fi module, etc.

The system can be easily downgraded into less complex configurations, since most of the installations are domestic.

The plant can be composed just like the pieces of a puzzle, with the advantage that the data can be shared. The architecture is scalable and designed to support future developments.